



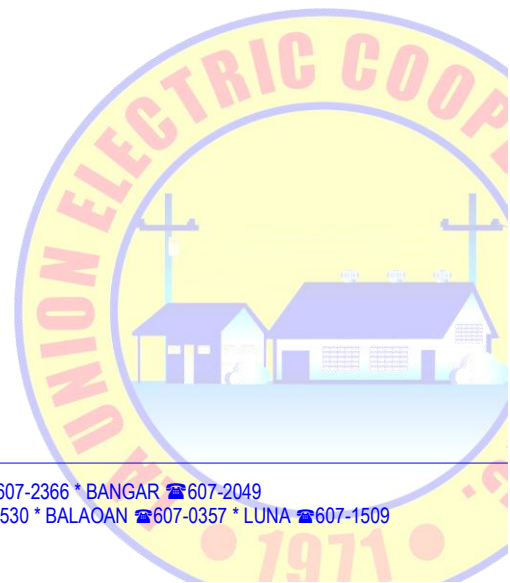
Checklist for the Application of Net Metering

	Requirements	Residential	Commercial/ Industrial (Sole Proprietorship)	Commercial/ Industrial (Incorporation/ Partnership)	Public Building	Remarks
1	Letter of Intent	✓	✓	✓	✓	
2	Solar Panel Specification	✓	✓	✓	✓	
3	Inverter Specification	✓	✓	✓	✓	
4	Solar Panel Cert. of Conformity	✓	✓	✓	✓	
5	Inverter Cert. of Conformity	✓	✓	✓	✓	
6	Updated Electrical Plan (Sign & Sealed by PEE)	✓	✓	✓	✓	
7	Cert. of Final Electrical Inspection	✓	✓	✓	-	
8	Valid ID	✓	✓	✓	✓	
9	TIN (Tax Identification Number)	✓	✓	✓	✓	
10	SEC Cert. of Registration/Cert. of Partnership	-	-	✓	-	
11	Articles of Incorporation/ Partnership	-	-	✓	-	
12	Business Permit	-	✓	✓	-	

LUELCO Representative:
Kristian Andersen R. Velasquez

Mobile #: 09355931207

E-mail: o9355931207@gmail.com



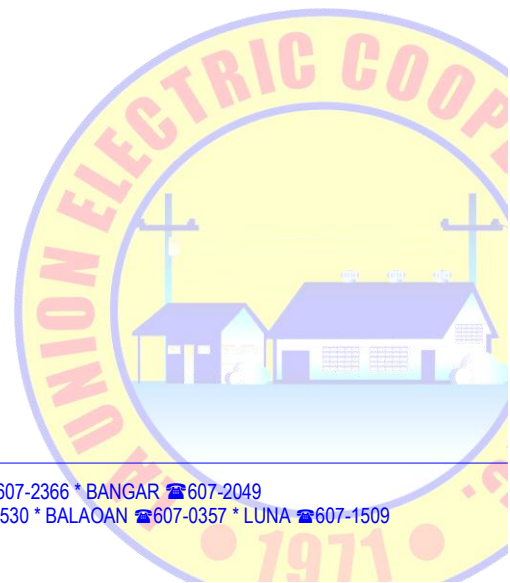


How to apply Net- Metering program on LUELCO?

List of Requirements and Procedures for Net- Metering application:

1. Complete and submit the necessary documents

Document	Remarks
a. Letter of Intent	Formal letter informing LUELCO of the details of installed Solar Setup. Indicate contact information/ e-mail address.
b. Solar Panel & Inverter Specifications	Request from your RE installer/ supplier.
c. Updated Electrical Plan (Sign & Sealed by PEE)	An electrical plan showing: <ul style="list-style-type: none">• Load Schedule (Main Distribution Panel)• Single Line Diagram• Load Schedule (Solar Distribution Panel)• Load Calculation and Wire/ Protection Ratings• Legends• Electrical Notes• Vicinity Map (GPS/ Coordinates)
d. Certificate of Final Electrical Inspection	Secure from your LGU
e. Identification Document	Valid Government ID & Tax Identification Number
f. Application Form <ul style="list-style-type: none">• QE-COC Application Form 1• QE-COC Application Form 1.1(Solar)	Issued by LUELCO to be accomplished by Qualified End-User (QE)/ RE Installer/ supplier
g. COC Application Fee of Php 1,500.00	SOA issued by ERC thru LUELCO





2. LUELCO will conduct technical evaluation on submitted documents.

- Validation of submitted requirements on installed Solar Setup.
- Distribution Impact Study (DIS) will be conducted whether your Solar Setup will have an adverse effect on the normal system operation of LUELCO's Distribution System.

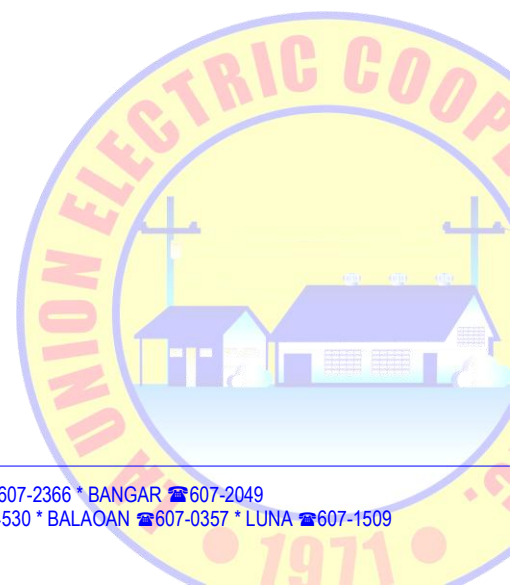
Hosting Capacity (as Solar Setup is classified as Embedded Generating Plants)

Transformer Rating (kVA)	Hosting Capacity (kW Peak)
10	3
15	4.5
25	7.5
37.5	11.25
50	15
75	22.5
100	30

3. Schedule of site inspection and testing.

Technical team will only approve the application if the Solar Setup has:

- Proper grounding.
- Installed protective equipment with labels.
- Anti-islanding capability (Maximum of 2 Sec.)
- Transfer Switch (for Hybrid Setup)
- Cease to energize (Minimum of 600 Sec.)
- Voltage Variation (10% Tolerance)
- Harmonics (5% Tolerance)

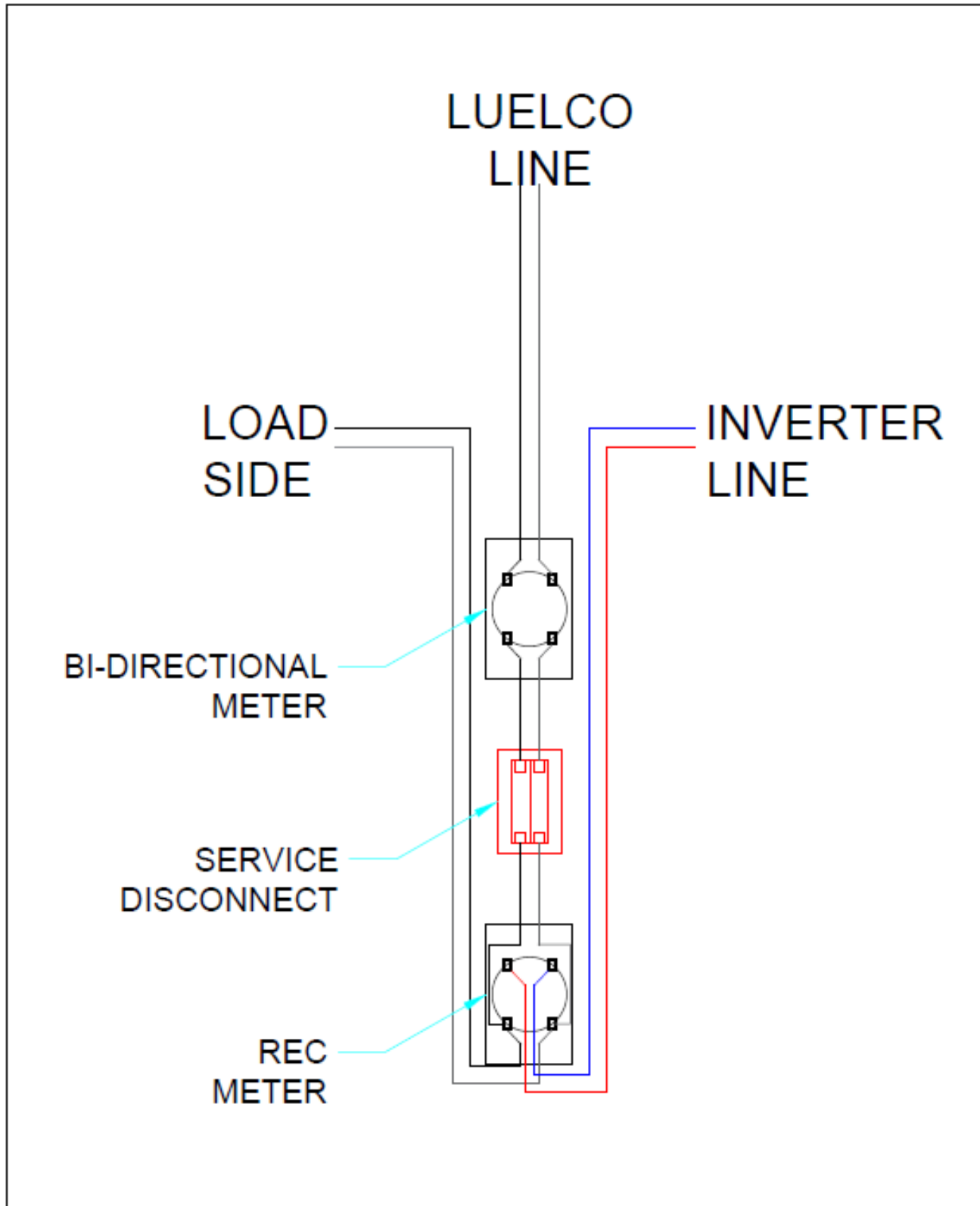




4. Installation of Bi-directional Meter

QE may or may not install REC meter based on Department Circular No. DC2024-08-0025.

- Net- Metering Setup With REC Meter





- Net- Metering Setup With REC Meter

